

Sucker antenna SW433-XP-XM

Description

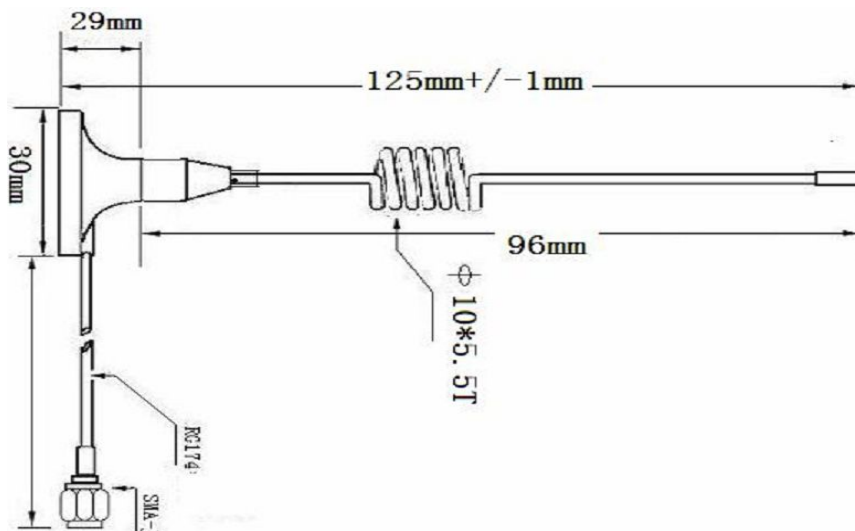
SW433-XP-XM is a sucker antenna. It is a dedicated antenna which designed for a wireless communication system (433MHz). It has good VSWR, ingenious structure, easy installation, stable performance, with good anti-vibration and aging ability.



Features

- Frequency range: 433 MHz (+ / -10)
- Weight: 40~80g
- VSWR: ≤ 1.5
- Height: 126mm
- Input impedance: 50 Ω
- Lead wire: 1m ~ 6 m
- Maximum power: 10 W
- Antenna color: black
- Gain: 2.0~3.0dBi
- Interface form: SMA-J

Size



VSWR chart

Frequency: 434MHz

RL: 26.13dB

VSWR: 1.161

